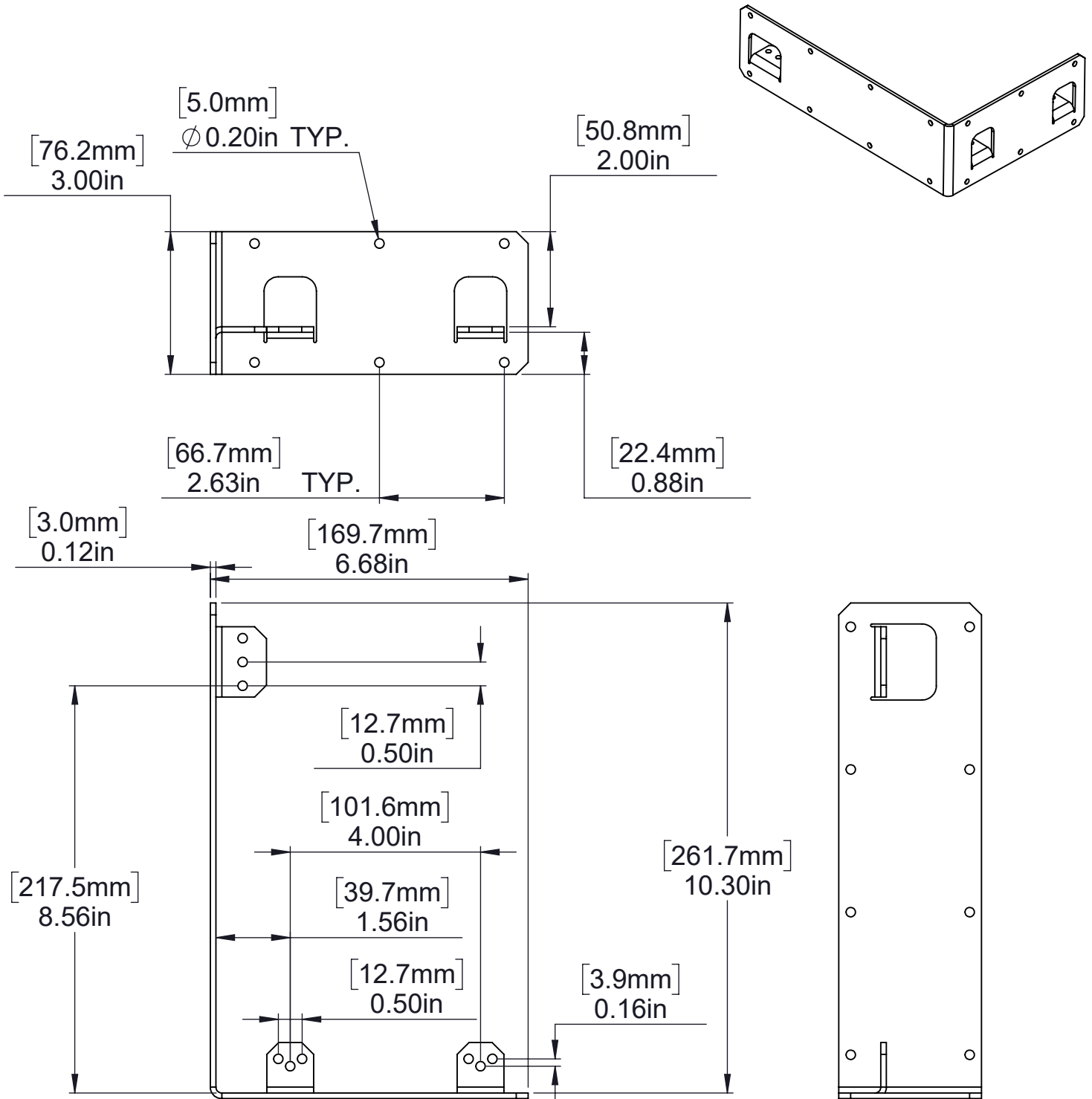


Bumper Corner Bracket - LH



MATERIAL:

Aluminum 5052

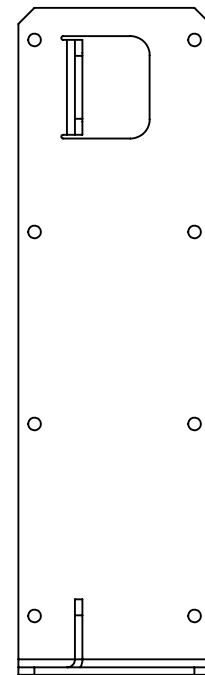
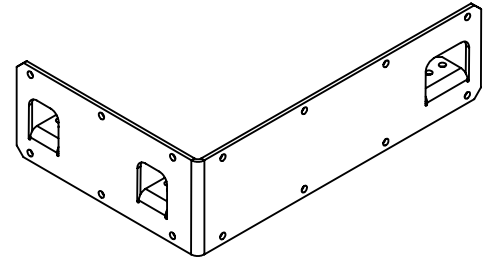
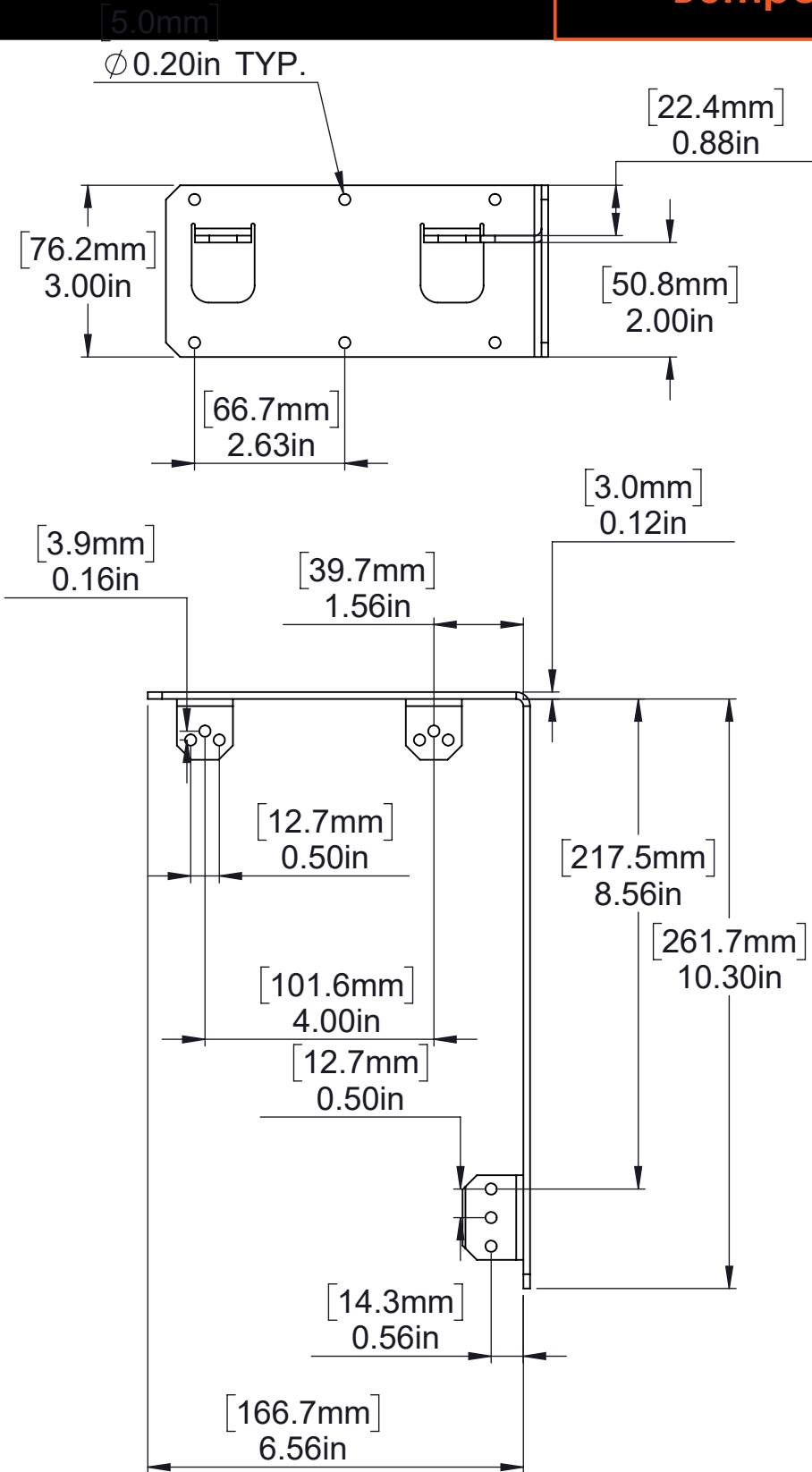
FINISH:

Plain

DATE:

2/8/2024

Bumper Corner Bracket - RH



MATERIAL:

Aluminum 5052

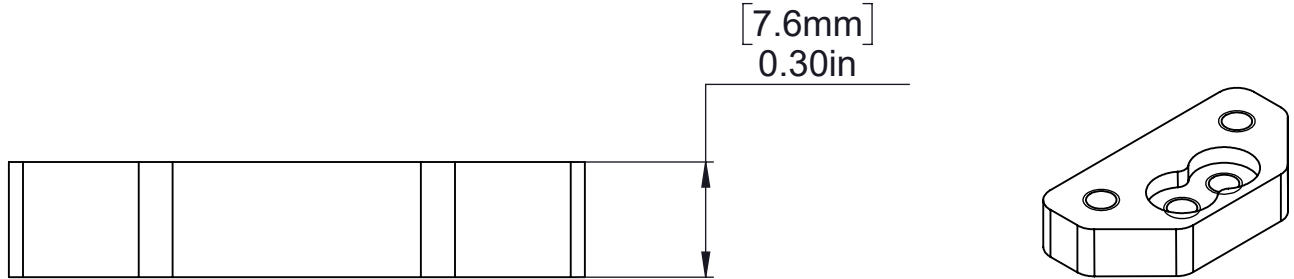
FINISH:

Plain

DATE:

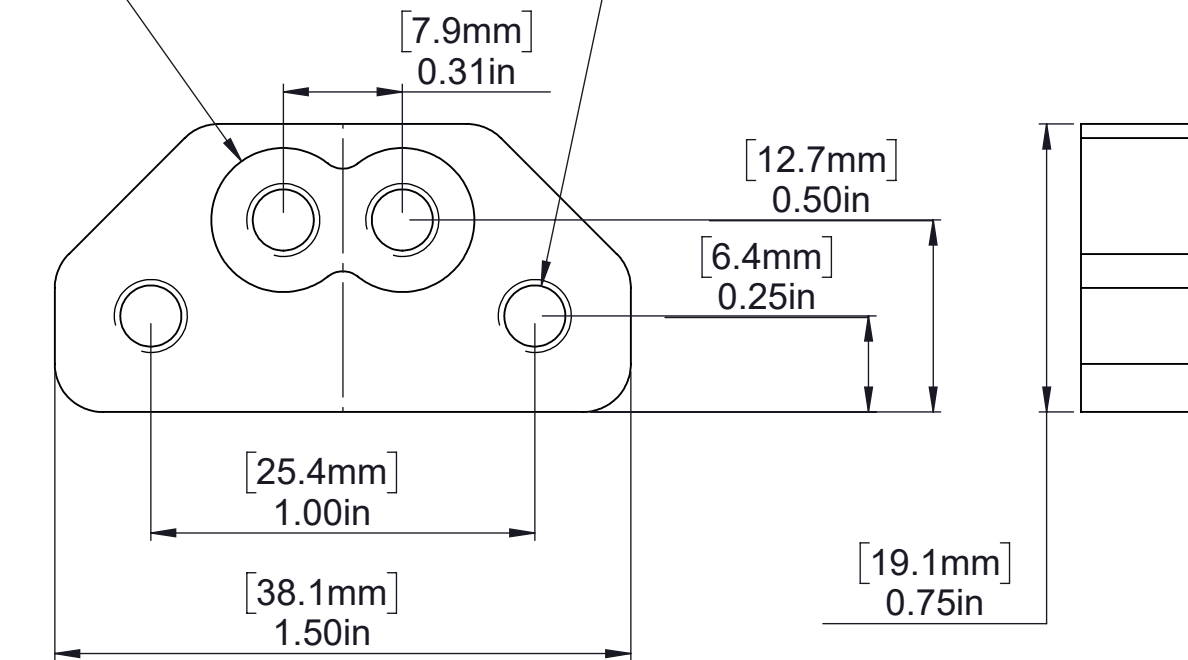
2/8/2024

AM14U5 Bumper Adapter



2x ϕ 0.38in [9.5mm] ∇ 0.10in [2.5mm]

4x 10-32 UNF ∇ THRU ALL



MATERIAL:

Aluminum 6061

FINISH:

Plain

DATE:

2/8/2024