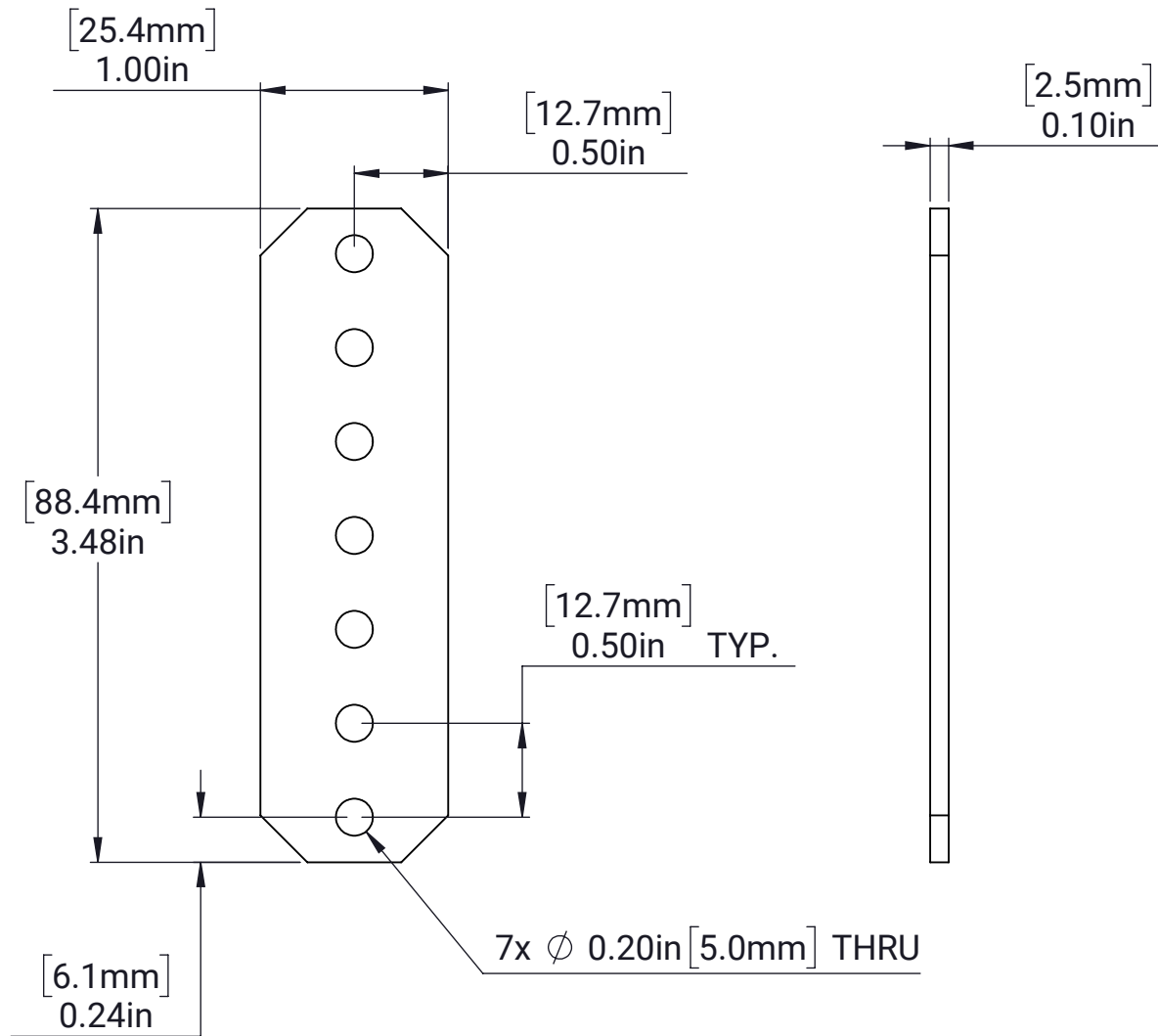


180deg Joiner Plate Bracket



MATERIAL:

Aluminum 5052

FINISH:

Plain

DATE:

6/16/2022