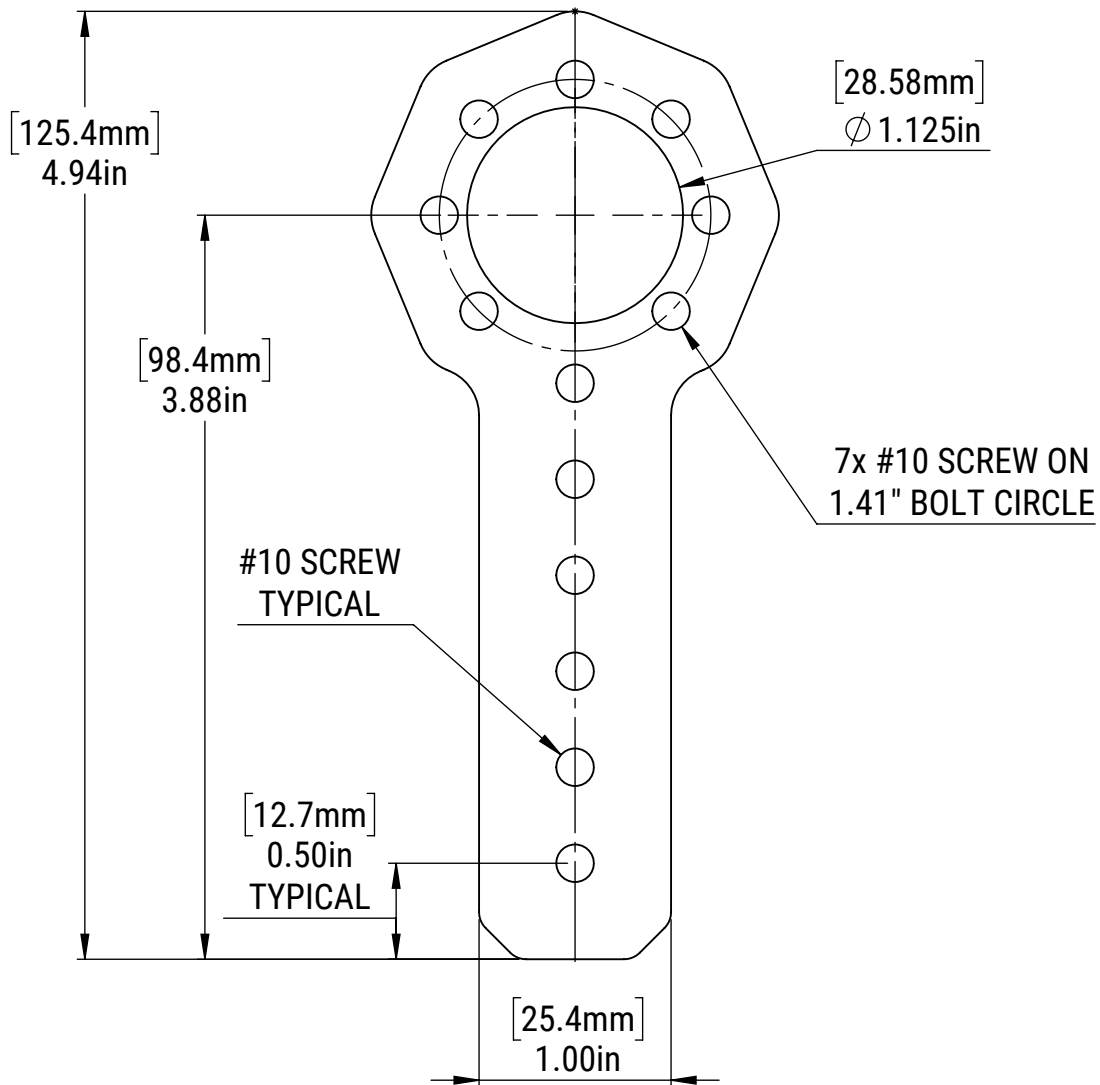


**1" END-MOUNT BEARING BRACKET**



**MM SHEET TOLERANCES:**

X ± 0.50 MM  
X.X ± 0.10 MM  
X.XX ± 0.05 MM  
ANGLES ± 2°

**INCH SHEET TOLERANCES:**

X ± 0.1 IN  
X.X ± 0.02 IN  
X.XX ± 0.004 IN  
X.XXX ± 0.002 IN  
ANGLES ± 2°

**MATERIAL:**

**5052-H32 ALUMINUM**  
**0.125"/3mm**

DATE: 1/22/2020