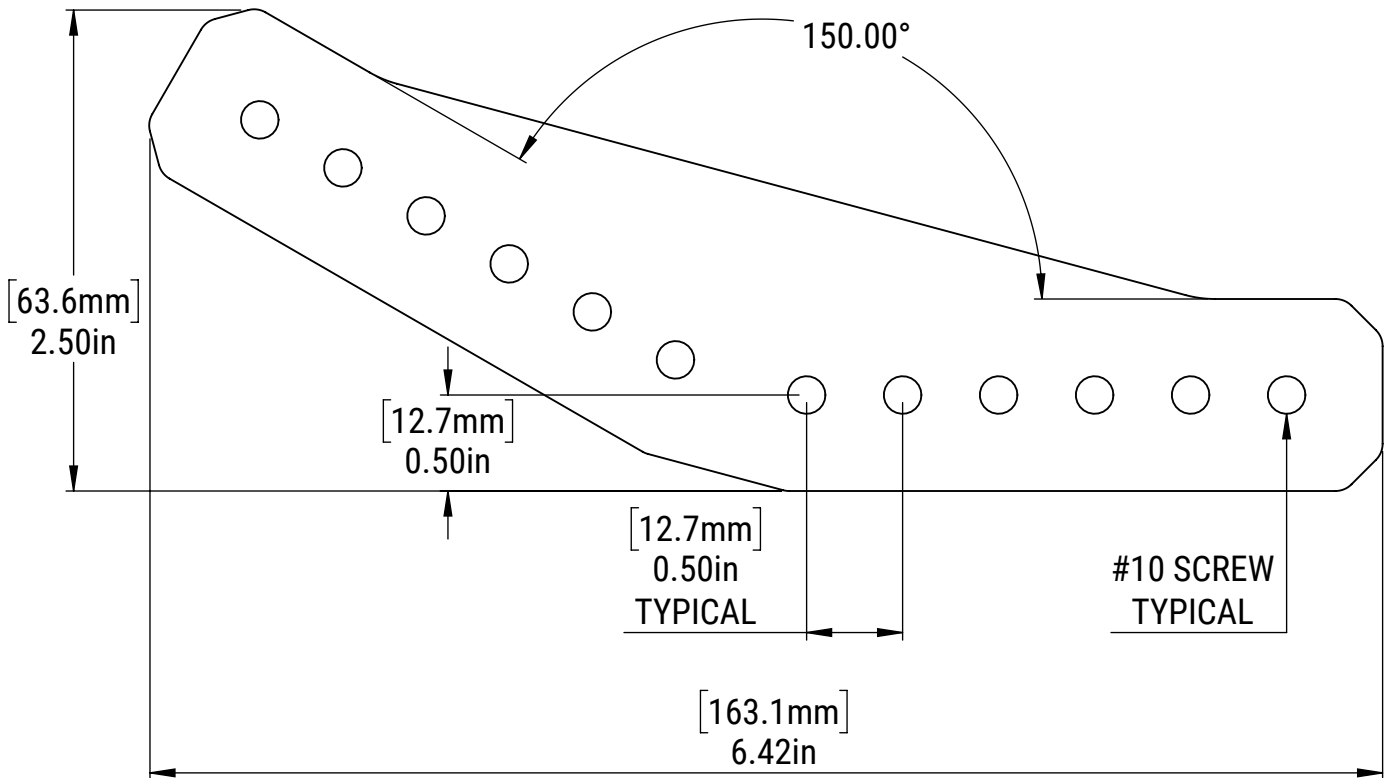


1" 150 DEGREE BRACKET



MM SHEET TOLERANCES:

X \pm 0.50 MM
 X.X \pm 0.10 MM
 X.XX \pm 0.05 MM
 ANGLES \pm 2°

INCH SHEET TOLERANCES:

X \pm 0.1 IN
 X.X \pm 0.02 IN
 X.XX \pm 0.004 IN
 X.XXX \pm 0.002 IN
 ANGLES \pm 2°

MATERIAL:

5052-H32 ALUMINUM
0.125"/3mm

DATE: 1/22/2020