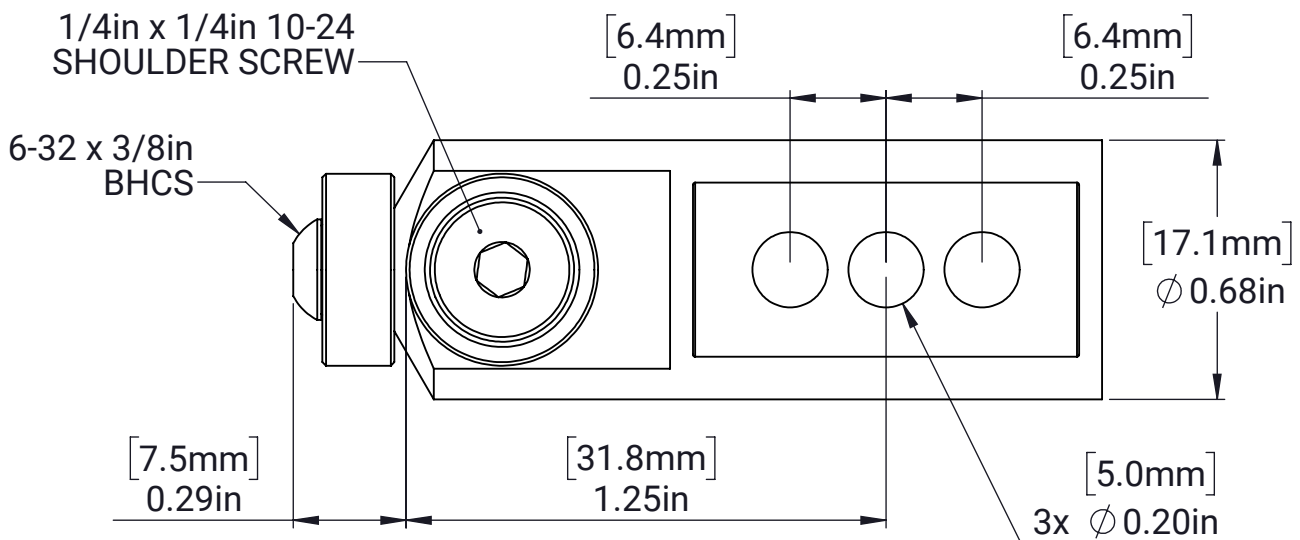
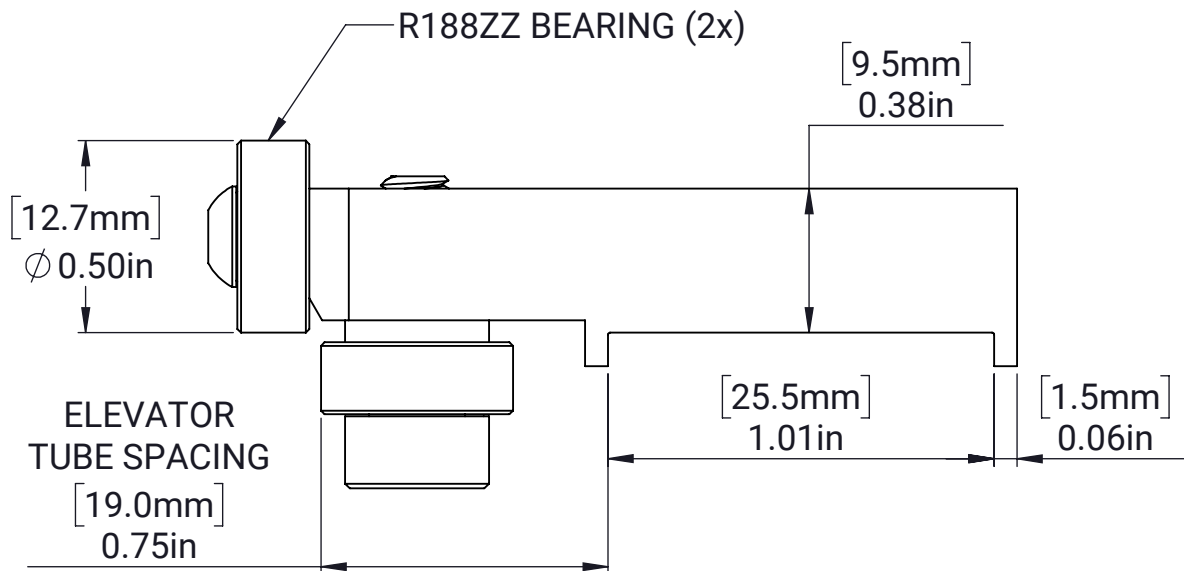
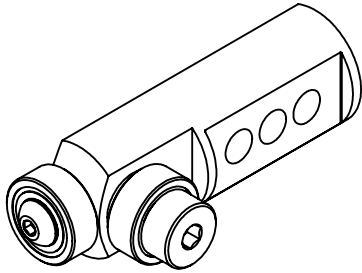


Elevator Bearing Block



MATERIAL:

Aluminum 6061 (Body)

FINISH:

Black Anodized (Body)

DATE:

2/8/2022