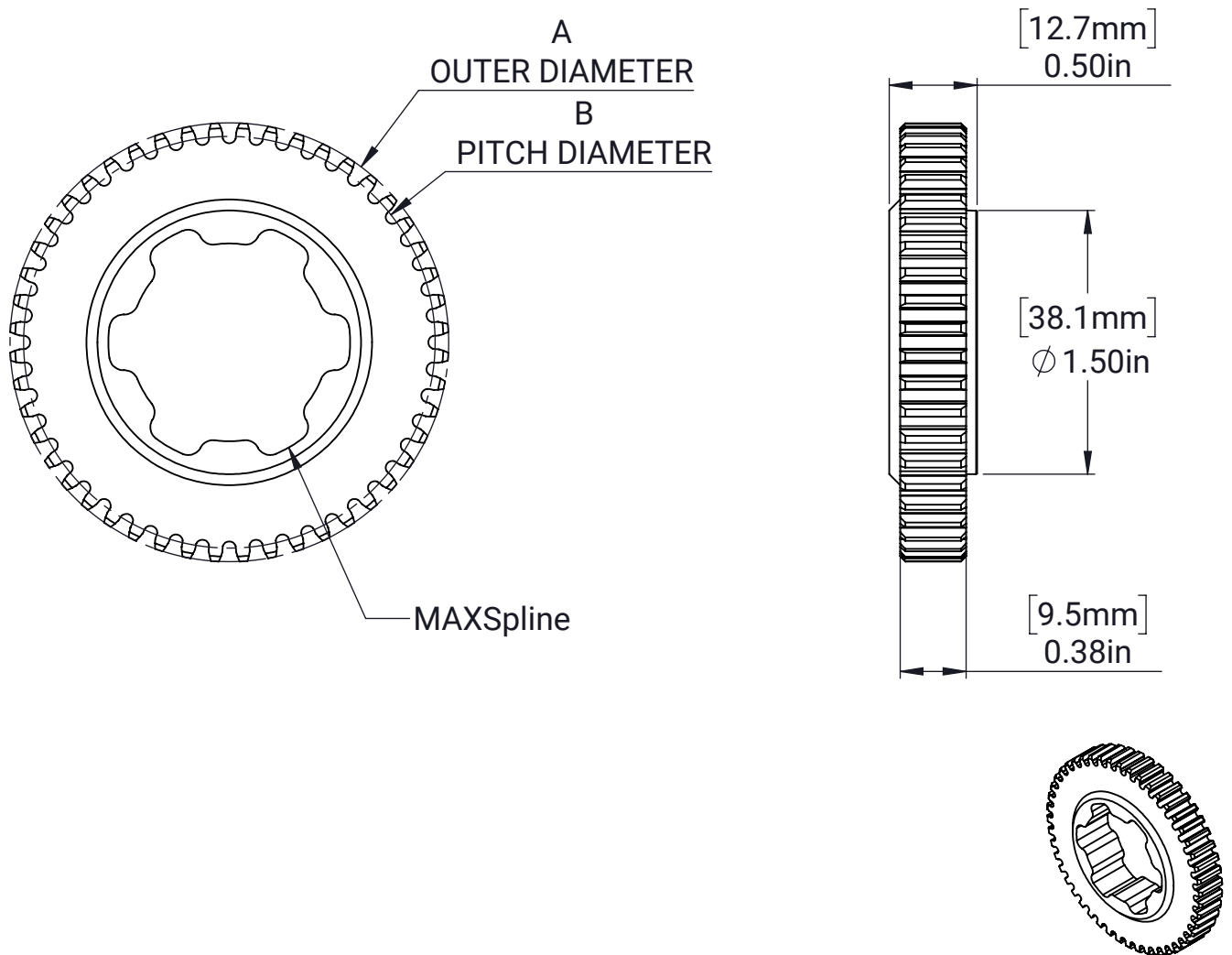


20DP Gear - MAXSpline - Medium

Part #	Outer Diameter (A)	Pitch Diameter (B)	Teeth
REV-21-3018	[63.5mm] 2.50in	[61.0mm] 2.40in	48
REV-21-3020	[68.6mm] 2.70in	[66.0mm] 2.60in	52
REV-21-3021	[71.1mm] 2.80in	[68.6mm] 2.70in	54
REV-21-3022	[73.7mm] 2.90in	[71.1mm] 2.80in	56
REV-21-3023	[76.2mm] 3.00in	[73.7mm] 2.90in	58



MATERIAL:

Steel 4140

FINISH:

Black Oxide

DATE:

6/16/2022